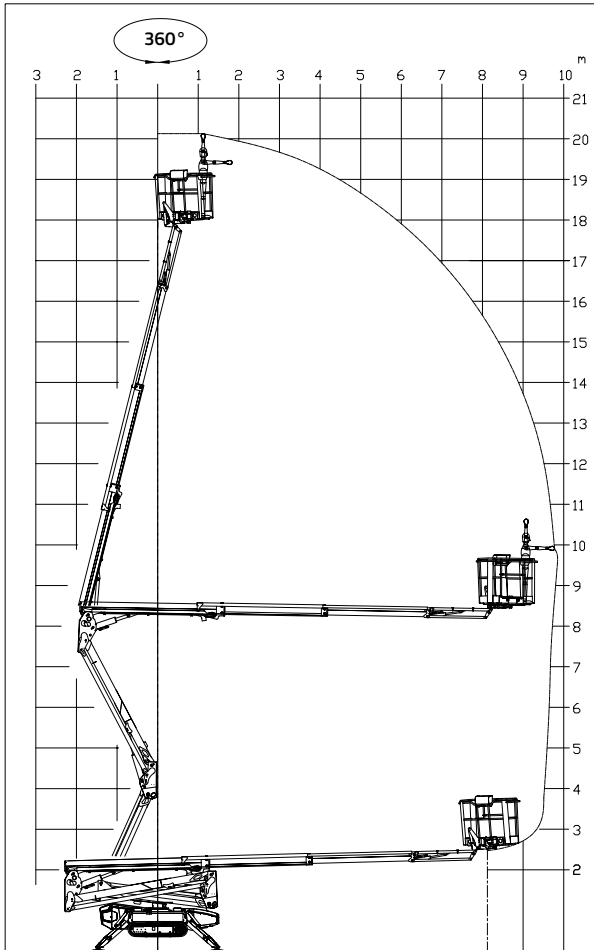
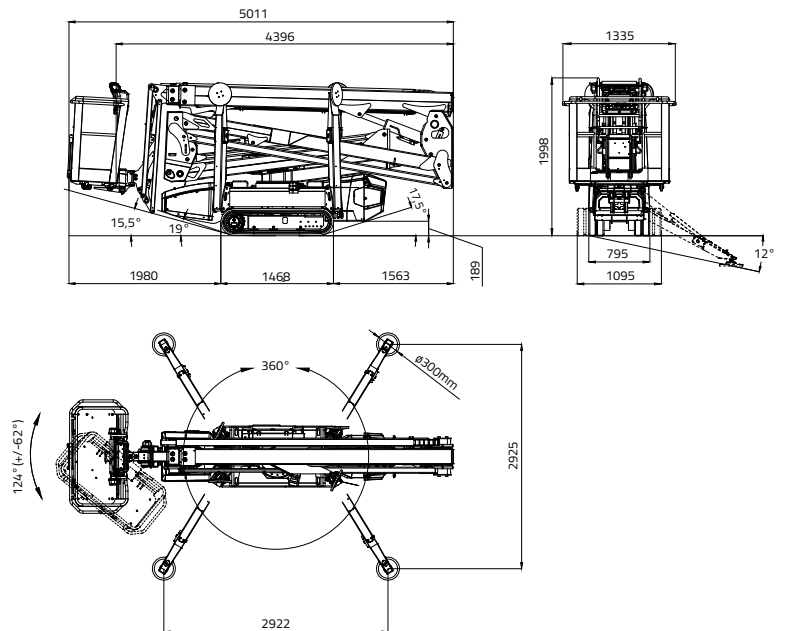


LL20.10 *MK3*



CAPACITY 230 KG
(2 persons 80x2=160 kg + tool box 70 kg)



20,15 m

9,70 m

5,01 m

4,39 m

1,99 m

1.335 x 690 x h. 1.100 mm

124° (+/-62°)

16° / 28,7%

795 - 1095 mm

2150 daN - 3,04 daN/cm²

2922 x 2925 mm

Automatic set up system IIIS std.


Remote control

GPRS-GPS

R.A.H.M.

Lithium-ion battery pack
7,7 kWh

Bi-energy (Diesel + Lithium-ion battery pack)

 LL20.10 *MK3*



PETROL ENGINE

Brand.....HONDA
 Type GX390
 Pistons no. and displacement.....
single-cylinder 389 cm³
 Max gross power
 11,7HP - 8,7 kW @ 3600 rpm (GX390)
 Electrical start..... 12 volt

DIESEL ENGINE

Brand.....KUBOTA
 TypeZ602
 Pistons no. and displacement.....
double-cylinder 599 cm³
 Max gross power
 14,5 HP - 10,8kW @ 3600 rpm
 Electrical start..... 12 volt

LITHIUM-ION SYSTEM

Lithium-ion powered 7,7 kWh
 Onboard battery charger
 220V 50Hz or 110V 50Hz
 Autonomy..... 4-5 h
 Recharge time on flat batteries
 4 h (indicative)
 Recharge time to 80% on flat batteries..
 2 h (indicative)

HYDRAULIC PUMPS

Electric motorno. 2 gear pumps

TRACKED UNDERCARRIAGE

Track tensionergrease-filled
 Rollers no. per side 3 + slide

Translation speed with 3rd auto2speed:

- petrol engine 0,4 - 1 - 1,95 km/h
 - diesel engine 0,5 - 1,3 - 2,5 km/h
 - lithium system..... 0,83 - 1,6 km/h

WEIGHT MACHINE:

- petrol engine 2.900 kg
 - diesel engine 2.970 kg
 - lithium system..... 3.000 kg
 - bi-energy system 3.100 kg

MAX WIND SPEED..... 12,5 m/s